

A

B

C

D

1

1

2

2

3

3

4

4

5

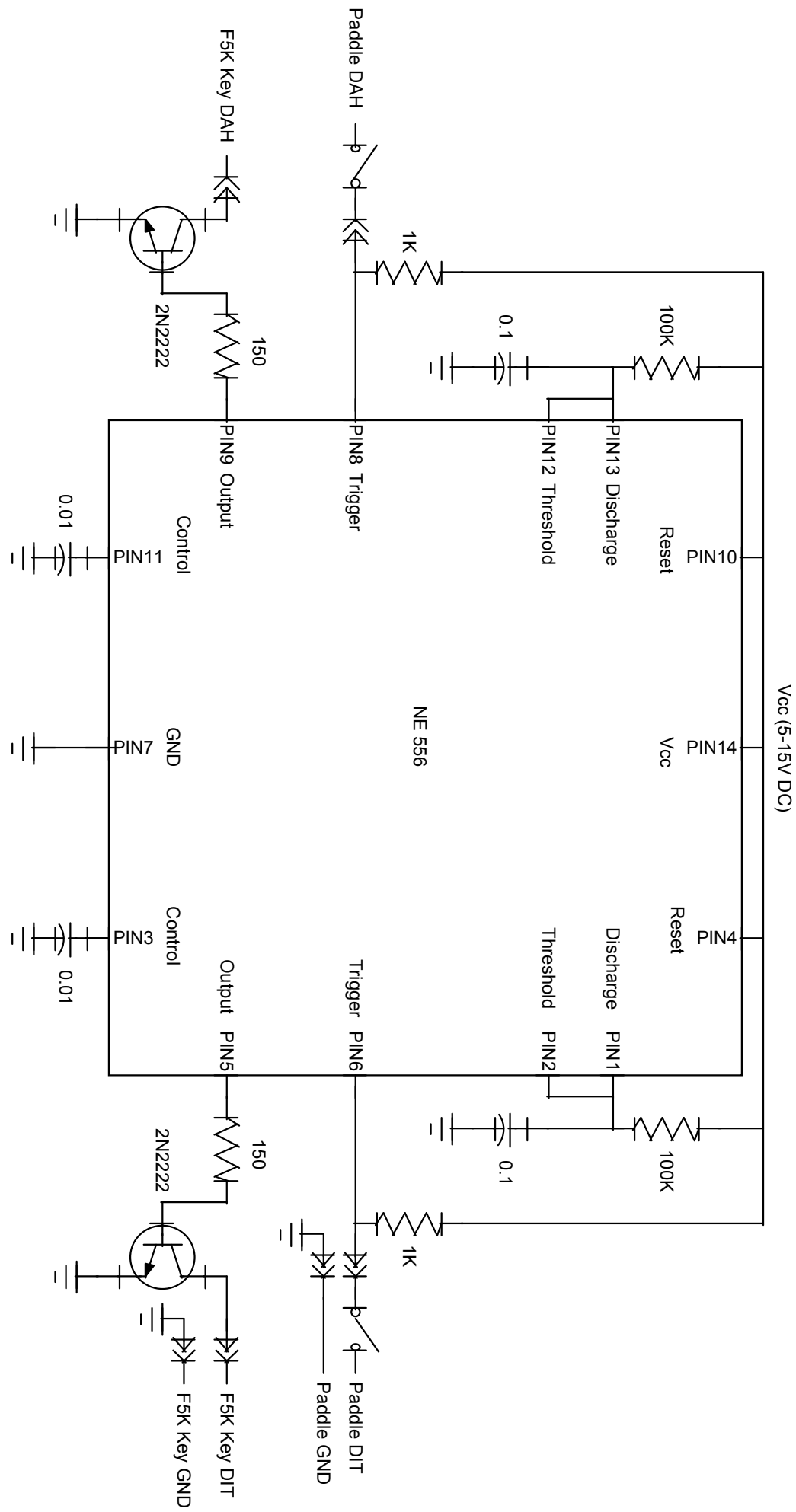
5

A

B

C

D



Vcc (5-15V DC)

NE 556

100K

0.1

1K

150

2N2222

2N2222

100K

0.1

1K

150

2N2222

2N2222

PIN10

Reset

PIN13 Discharge

PIN12 Threshold

PIN8 Trigger

Paddle DAH

F5K Key DAH

2N2222

PIN9 Output

Control

PIN11

0.01

PIN7

GND

PIN4

Reset

PIN1 Discharge

PIN2 Threshold

PIN6 Trigger

Trigger

Paddle DIT

F5K Key DIT

F5K Key GND

Output

PIN3

Control

0.01

PIN14

Vcc

A

B

C

D